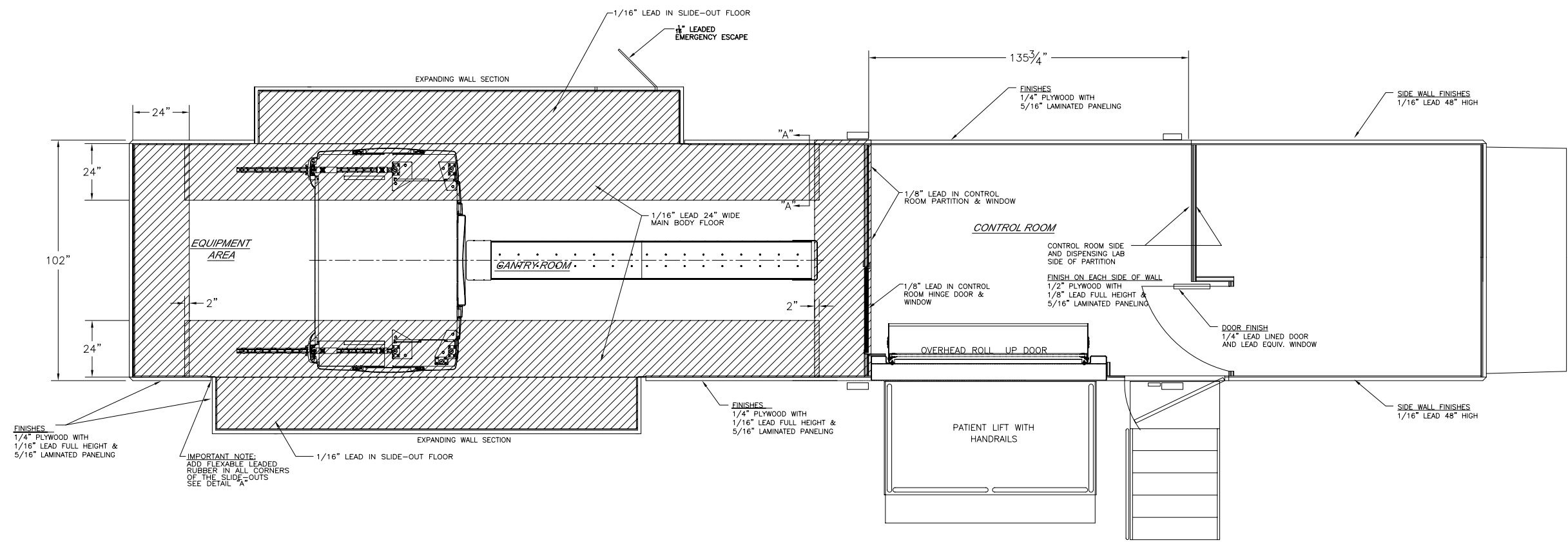
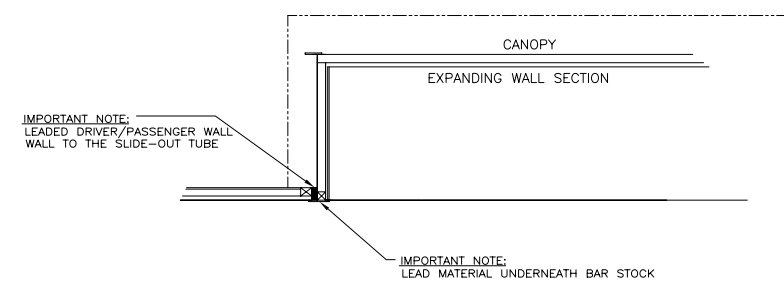


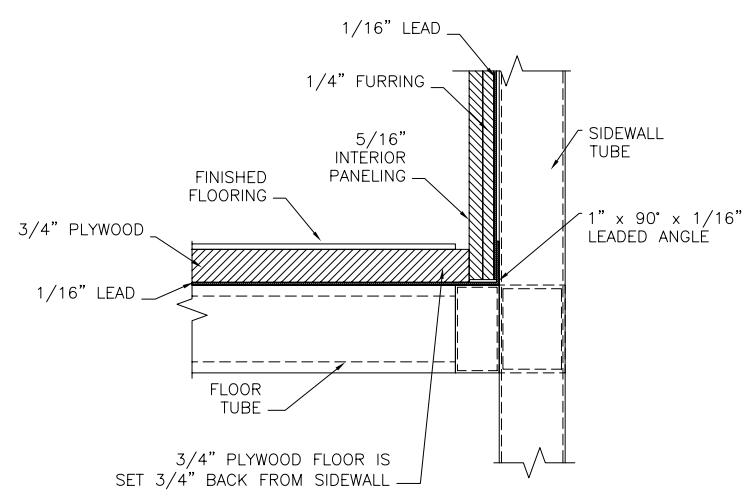
REVISIONS					DESCRIPTION
REV.	REV. DATE	CHK. BY	CHK. DATE	ENG.	
09	24MAR05	W.J.	24MAR05	C.H.	CHANGED INTERIOR WALL FURRING FROM 1/2" TO 1/4" WT REDUCTION PROGRAM



**PLAN VIEW**



**IMPORTANT NOTE:**  
IT IS VERY IMPORTANT THAT LEAD MATERIAL TOUCHES LEAD MATERIAL THROUGHOUT THE WALLS, CORNERS AND FLOOR OF GANTRY ROOM.



**SECTION "A-A"**  
**SCALE: 1:2**

THIS DRAWING IS PROVIDED ON A CONFIDENTIAL BASIS SUBJECT TO RETURN ON DEMAND OF OSHKOSH SPECIALTY VEHICLES ("OSHKOSH"), WHICH RETAINS ANY AND ALL RIGHTS ASSOCIATED WITH IT AND THE ARTICLE OR ARTICLES IT REPRESENTS. DISCLOSURE, REPRODUCTION OR ALTERATION OF ANY PART OF THIS DRAWING OR MANUFACTURE, USE OR SALE OF THE ARTICLE OR ARTICLES REPRESENTED, IS PROHIBITED WITHOUT THE PRIOR WRITTEN AUTHORIZATION OF OSHKOSH, © OSHKOSH SPECIALTY VEHICLES (unpublished).

SHEET NUMBER: <b>1 OF 1</b>	REFERENCE DRAWING:	TITLE: <b>LEAD REQUIREMENTS - PLAN VIEW SIEMENS PET FLEX &amp; PET/CT 8'-6" X 13'-6" X 48'-0" TRAILER</b>	DATE: <b>29JAN03</b>	SCALE: <b>1/2"=1'-0"</b>
<b>JOB#</b>			DRAWN BY: 	
			CHECKED BY: 	
CUSTOMER AUTHORIZATION COMPANY NAME: NAME (PRINT): TITLE: SIGNATURE: DATE:		16745 S. LATHROP AVENUE HARVEY, IL. 60426 PHONE: (708) 596-5066 FAX: (708) 596-2480		
		DRAWING NUMBER: <b>10235-A18</b>		

CUSTOMER AUTHORIZATION

COMPANY NAME:

NAME (PRINT): TITLE:

SIGNATURE: DATE: